

Goessling USA, Inc.
Conveyors and Connecting Systems

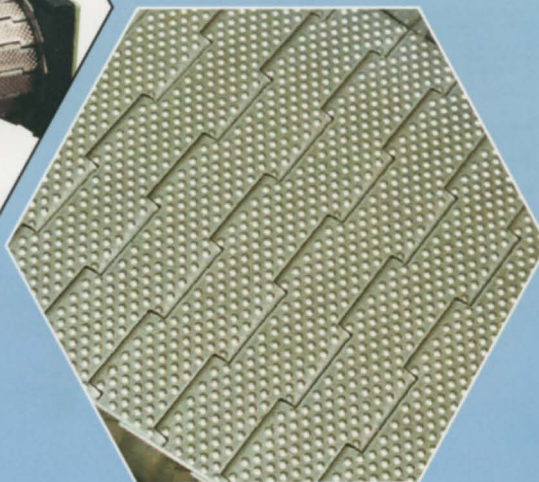
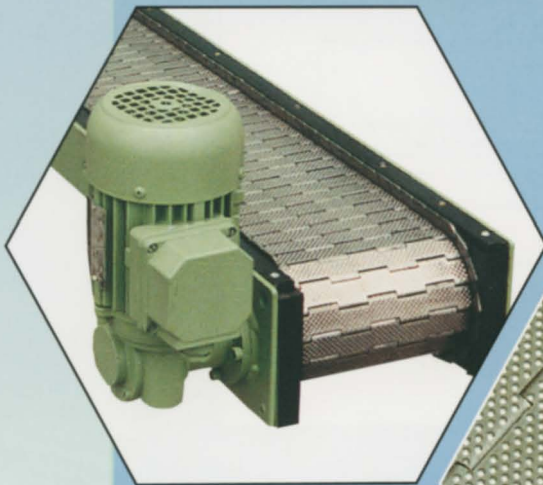
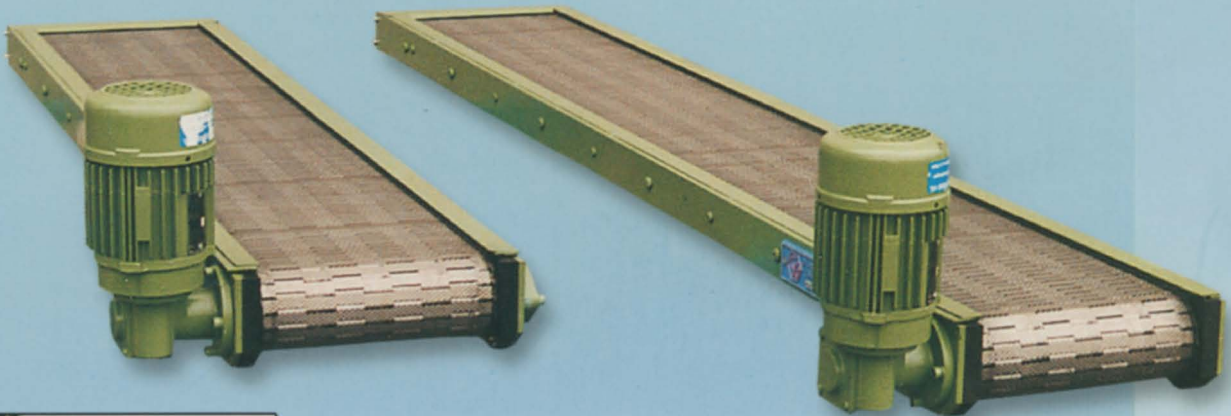


Flat Hinged Belt Conveyor

Lowest profile available
for discharging stamping dies
and discharging stamping
presses with limited space

New
Stampboy

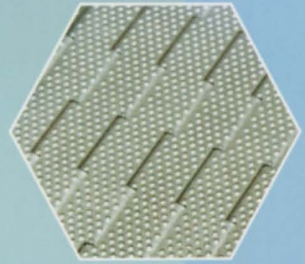
World champion in low profile applications
Only 2" (50 mm) in height



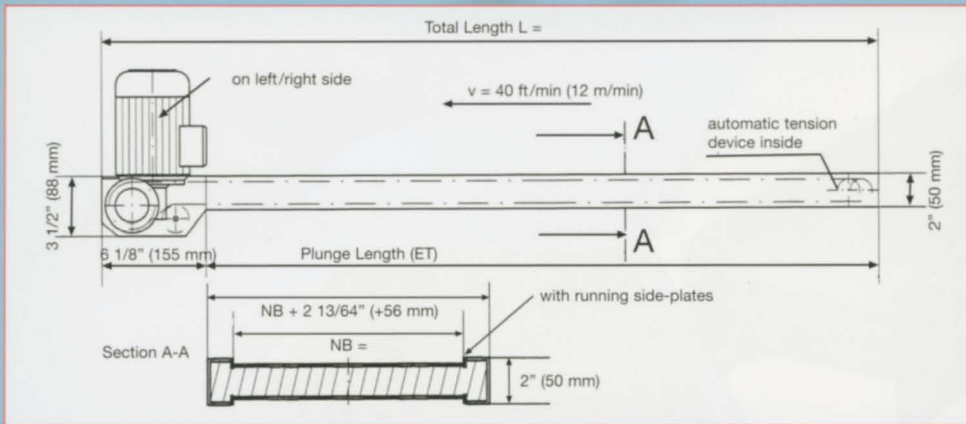
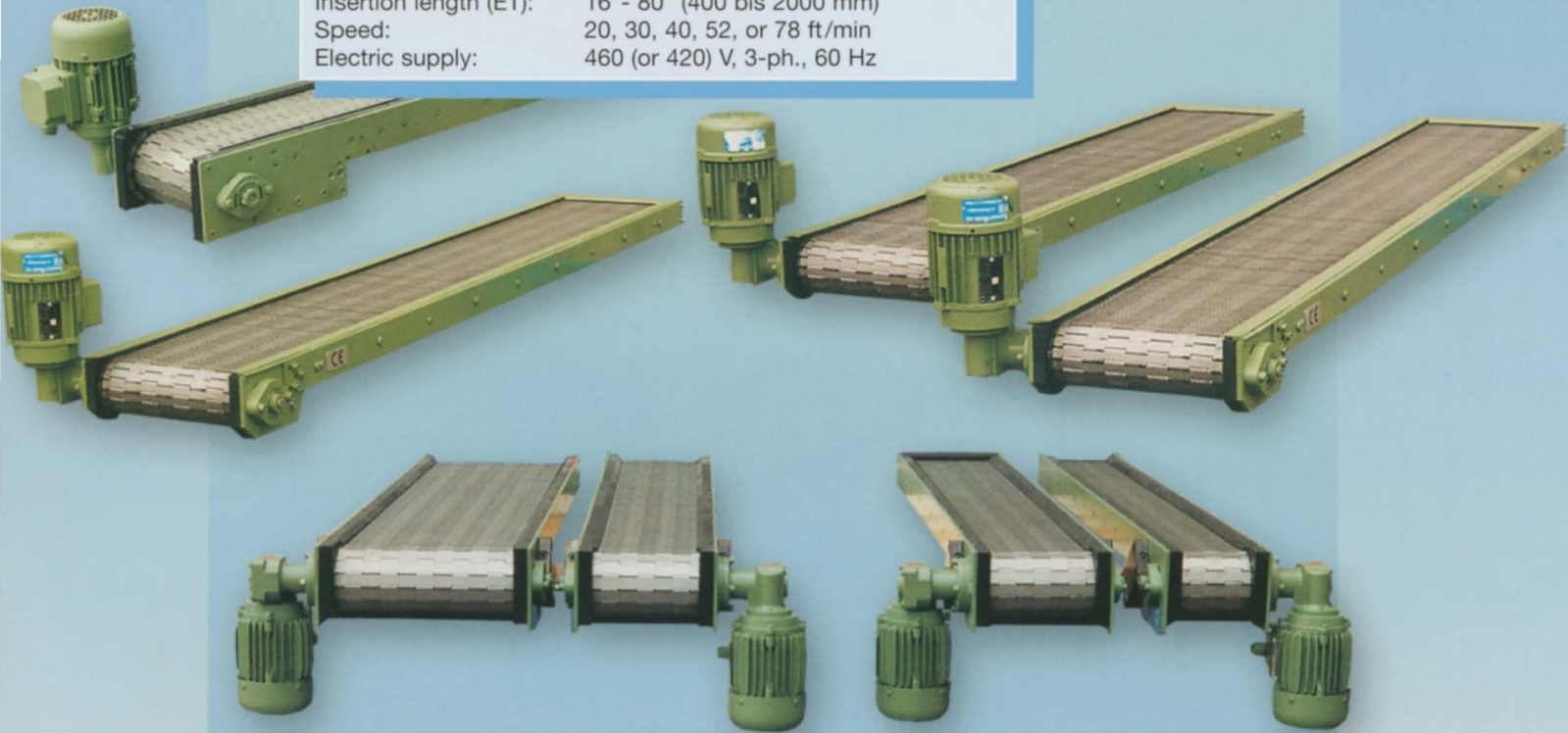
We deliver:

Low Profile **Steel Hinged Belt Conveyors** to fit and insert into narrow stamping dies for discharging slugs, scraps, or any other small parts. Our hinged steel belt of the smallest pitch type, specially developed for the stamping industry, is insensitive against sharp, pointed, abrasive scraps. The dimpled surface eliminates the sticking of oily parts while a running side plate edge on both sides hinder scraps or other small parts from penetrating under the belt.

The low profile has a height of only **2" (50 mm)**, which is known world wide for being the lowest height for hinged belt conveyors in the stamping industry. No longer worry with cut flat plastic belts and machine down-time because of necessary belt changes. Our new **Stampboy** needs no maintenance. This means no more down-time of stamping presses due to torn and cut plastic belts.



| | |
|------------------------|--|
| Effective width: (NB) | 2", 4", 6", 8", 10", 12" 50, 100, 150, 200, 250, 300 mm |
| Insertion length (ET): | 16"- 80" (400 bis 2000 mm) |
| Speed: | 20, 30, 40, 52, or 78 ft/min |
| Electric supply: | 460 (or 420) V, 3-ph., 60 Hz |



Goessling USA, Inc.

Conveyors and Connecting Systems

3308 Wayfield Drive · Johnson City, TN 37601
 Phone: +1 (423) 915-0472 · Fax: +1 (423) 915-0839
 e-mail: info@goesslingusa.com · www.goesslingusa.com

Goessling USA, Inc.
 Convincing conveyor
 technology!